

TUNING-FORK BALANCE

SJ series

Accurate & Compact

Quick response and accurate measurement

User friendly operation

OIML (class II) approved



SJ-420E
(420g/0.01g)

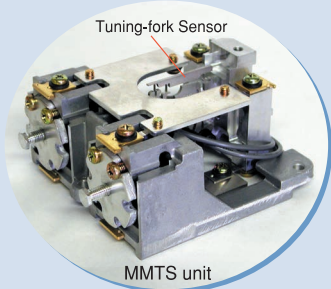


SJ-6200E
(6200 g/0.1g)

SHINKO DENSHI CO., LTD.

Newly developed MMTS (Mono-Metal Tuning-fork Sensor)

Not only does the tuning-fork sensor provide quick response and stability, but its newly developed MMTS also realizes a high resolution of 1/62,000.



Patent pending

For further information, access www.vibra.co.jp

Comparator function

Users can tell at a glance whether a load is too heavy, too light, or the right weight according to the upper/lower weight limits they preset.



Bar graph display

A 20-step bar graph display readily indicates the current load's weight against the capacity.



Selectable modes and units

Users can select from 3 modes (weight, unit count, and percentage) and from 12 units of weight.



weight



percentage



quantity

Weighing units

g, ct, oz, lb, ozt, dwt, GN, tI (Hong Kong), tI (Taiwan), tI (Singapore, Malaysia), momme, tola

Specifications

| Model with EC approval* | SJ-220E SJ-220CE | SJ-420E SJ-420CE | SJ-620E SJ-620CE | SJ-1200E SJ-1200CE | SJ-2200E SJ-2200CE | SJ-4200E SJ-4200CE | SJ-6200E SJ-6200CE | SJ-12KE SJ-12KCE |
|------------------------------|---|---------------------|---------------------|-----------------------|-----------------------|-----------------------|-----------------------|---------------------|
| Capacity | 220g | 420g | 620g | 1200g | 2200g | 4200g | 6200g | 12000g |
| Readability | 0.01g | 0.01g | 0.01g | 0.1g | 0.1g | 0.1g | 0.1g | 1g |
| Repeatability | ±0.01g | ±0.01g | ±0.01g | ±0.1g | ±0.1g | ±0.1g | ±0.1g | ±1g |
| Non-Linearity | ±0.01g | ±0.01g | ±0.01g | ±0.1g | ±0.1g | ±0.1g | ±0.1g | ±1g |
| Pan size | φ140mm | | | 170×142mm | 180×160mm | | | |
| Dimensions | 235×182×75mm | | | | 265×192×87mm | | | |
| Weighing units ^{*1} | g, ct ^{*2} , oz, lb, ozt, dwt, GN ^{*3} , tI (Hong Kong), tI (Taiwan), tI (Singapore, Malaysia), momme, tola | | | | | | | |
| Power source | AC120/230V DC9V | | | | | | | |
| Output | RS-232C (option) | | | | | | | |
| Measuring system | Tuning-fork frequency sensing (MMTS) | | | | | | | |
| Tare | Full weighing range | | | | | | | |
| Calibration | With external weight | | | | | | | |
| Display | LCD (16.5mm high) | | | | | | | |
| Modes | weighing, counting, percentage | | | | | | | |
| Weight | Approx. 1.3kg | | | | Approx. 2.7kg | | | |

* SJ-XXXCE stands for EC approval models

*1 only 5 units are available in SJ-XXXCE

*2 carat is not available in SJ-6200CE and SJ-12KCE

*3 GN is not available in SJ-12KE and SJ-XXXCE

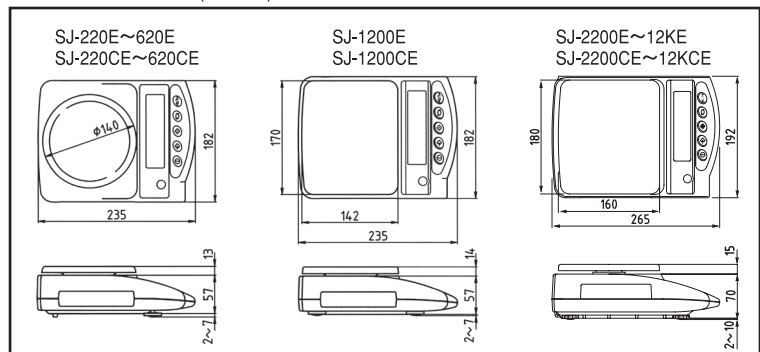
Options

| | |
|----------------------|--|
| Rechargeable battery | |
| RS-232C | |
| Relay contact | |
| Under weighing hook | |

Peripherals

| | |
|-------------------------------|-----|
| Satellite display | SDI |
| Database software for Windows | RTS |

Dimensions (unit: mm)



The contents of this catalogue are subject to change due to modifications and/or other reasons.

● Distributed by:

SHINKO DENSHI